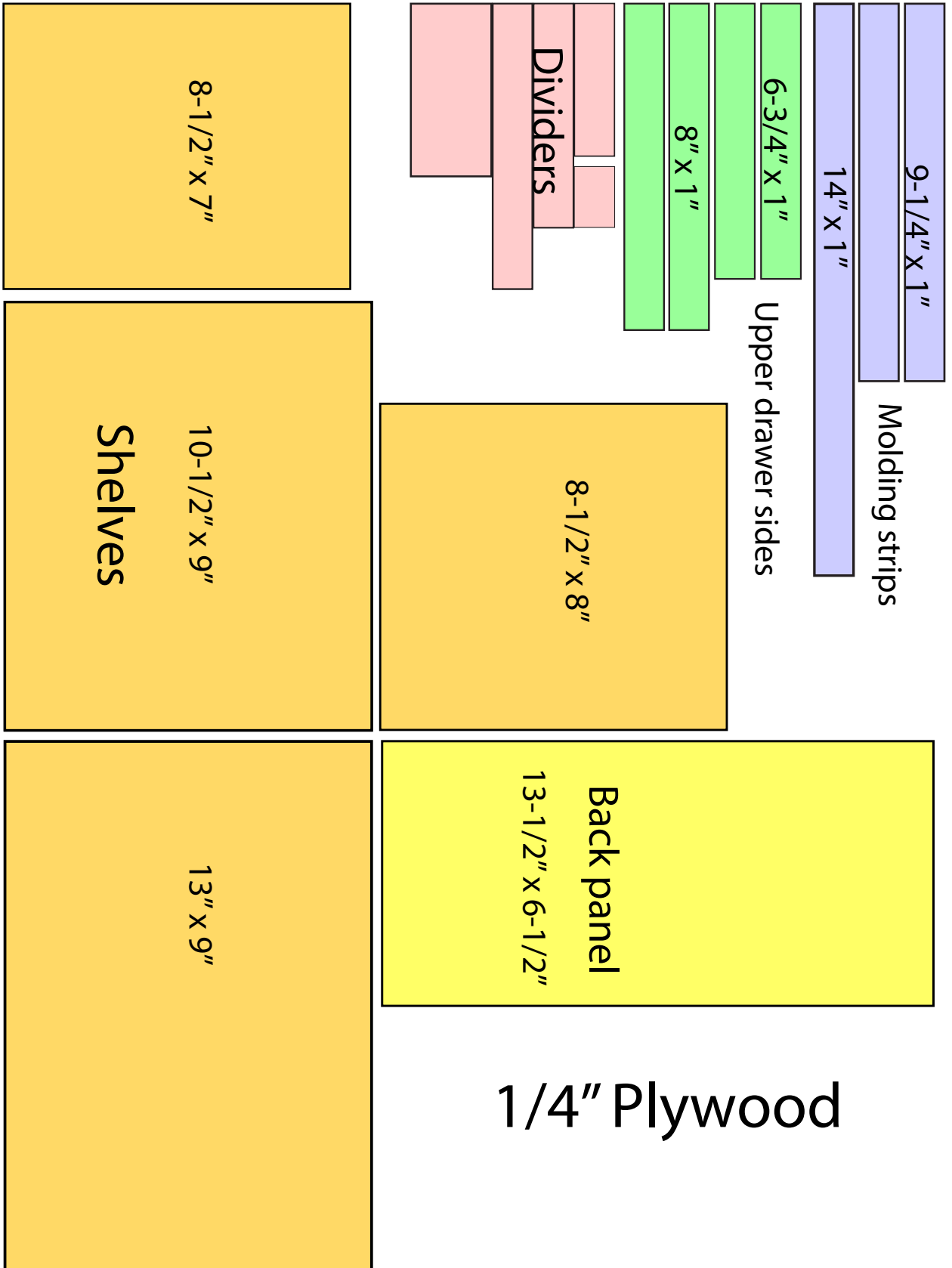


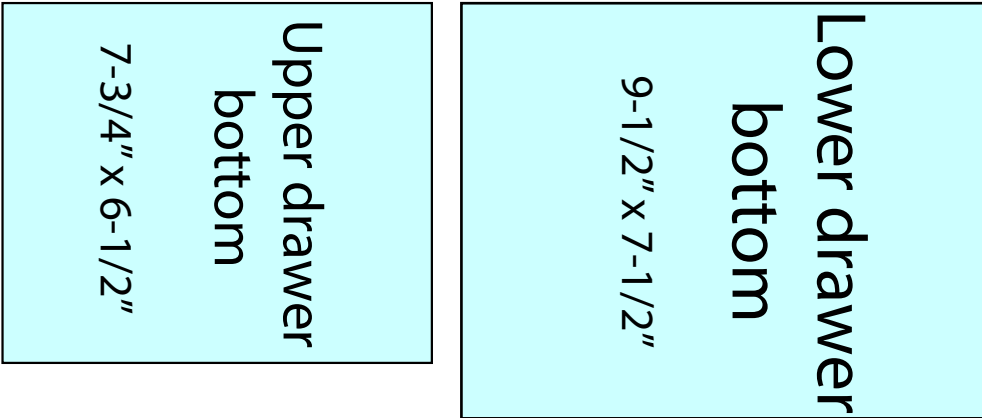
# Charging Station/ Desk Organizer



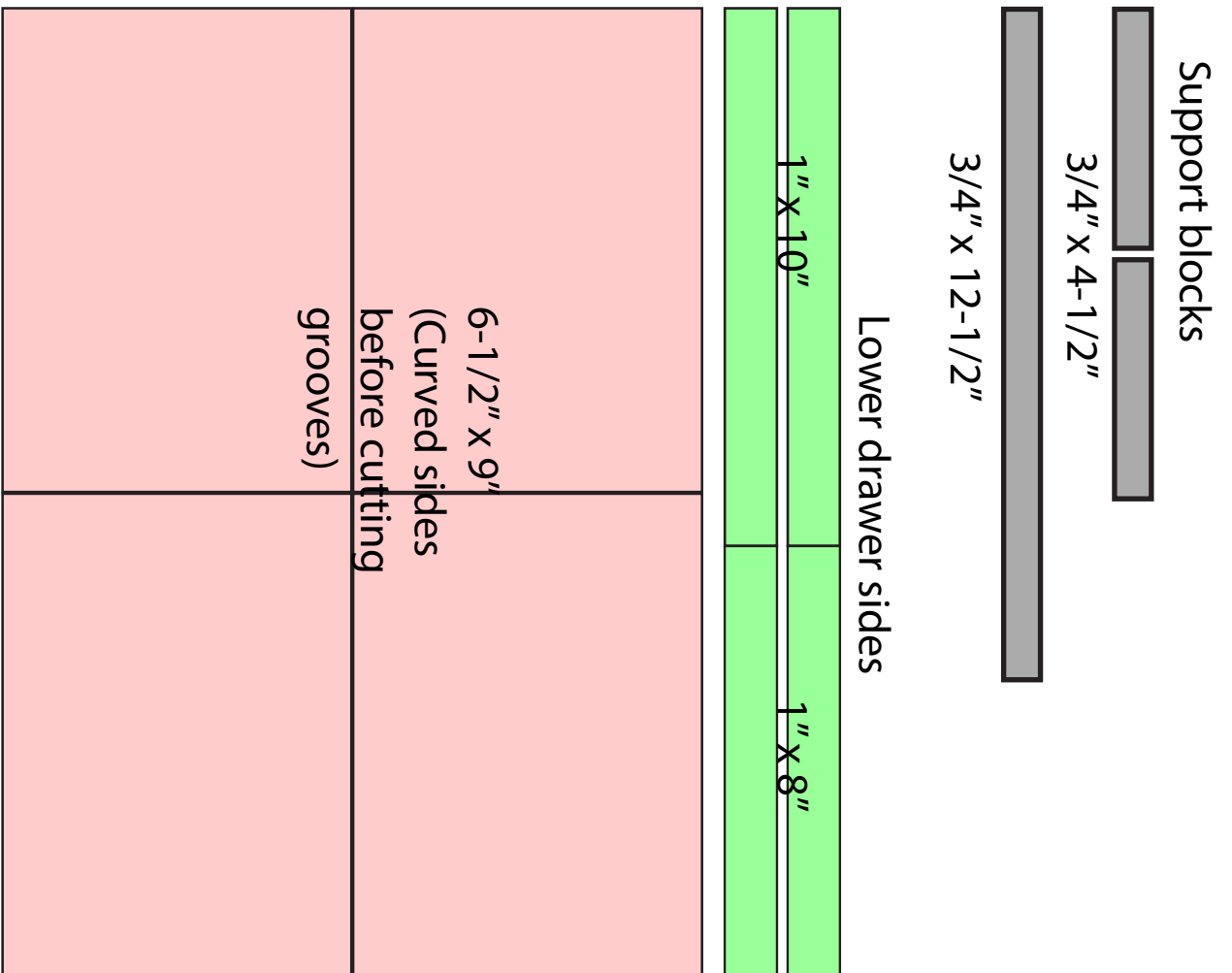
# WWMM Desk Organizer



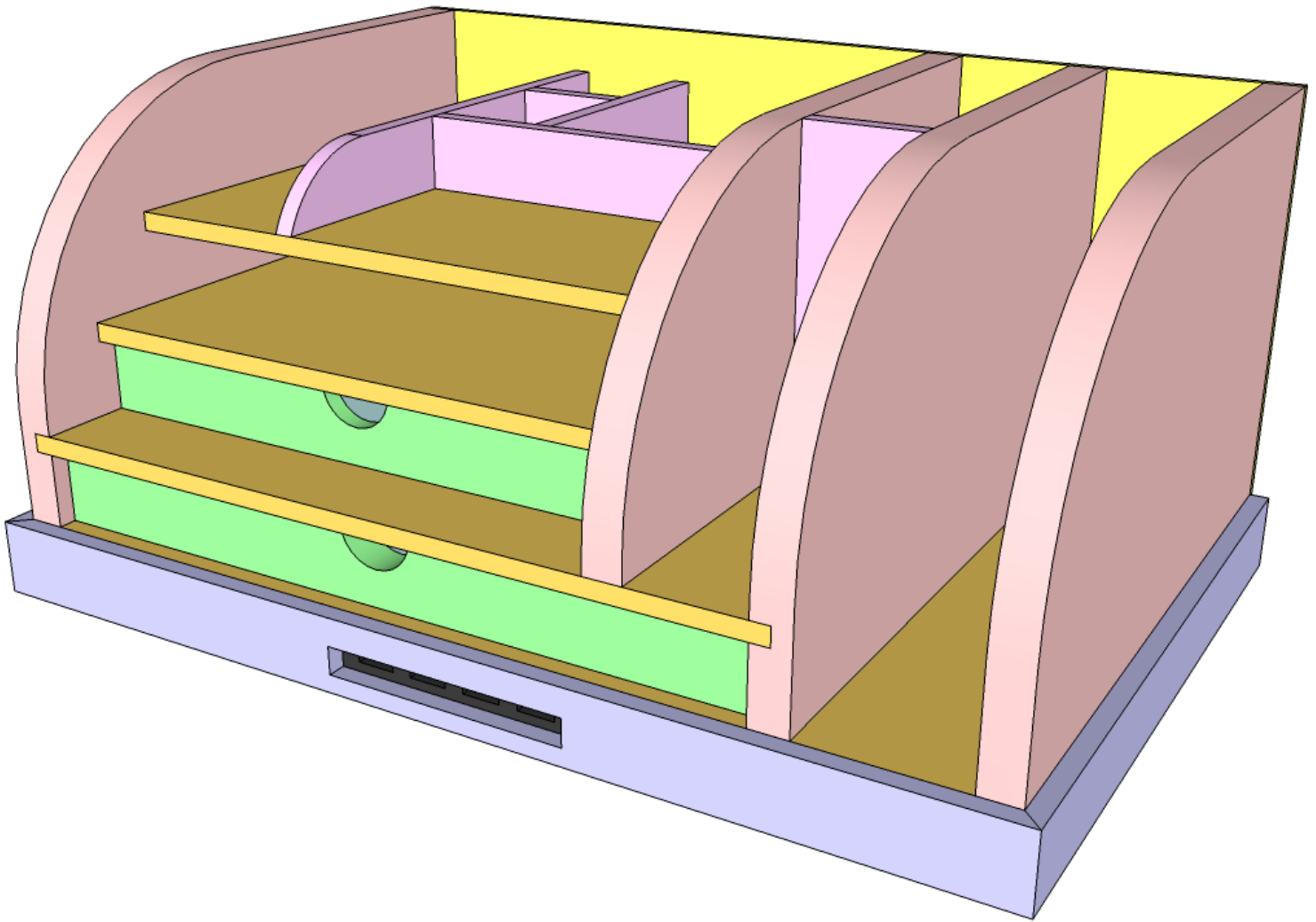
## 1/8" Plywood



## 1/2" Plywood



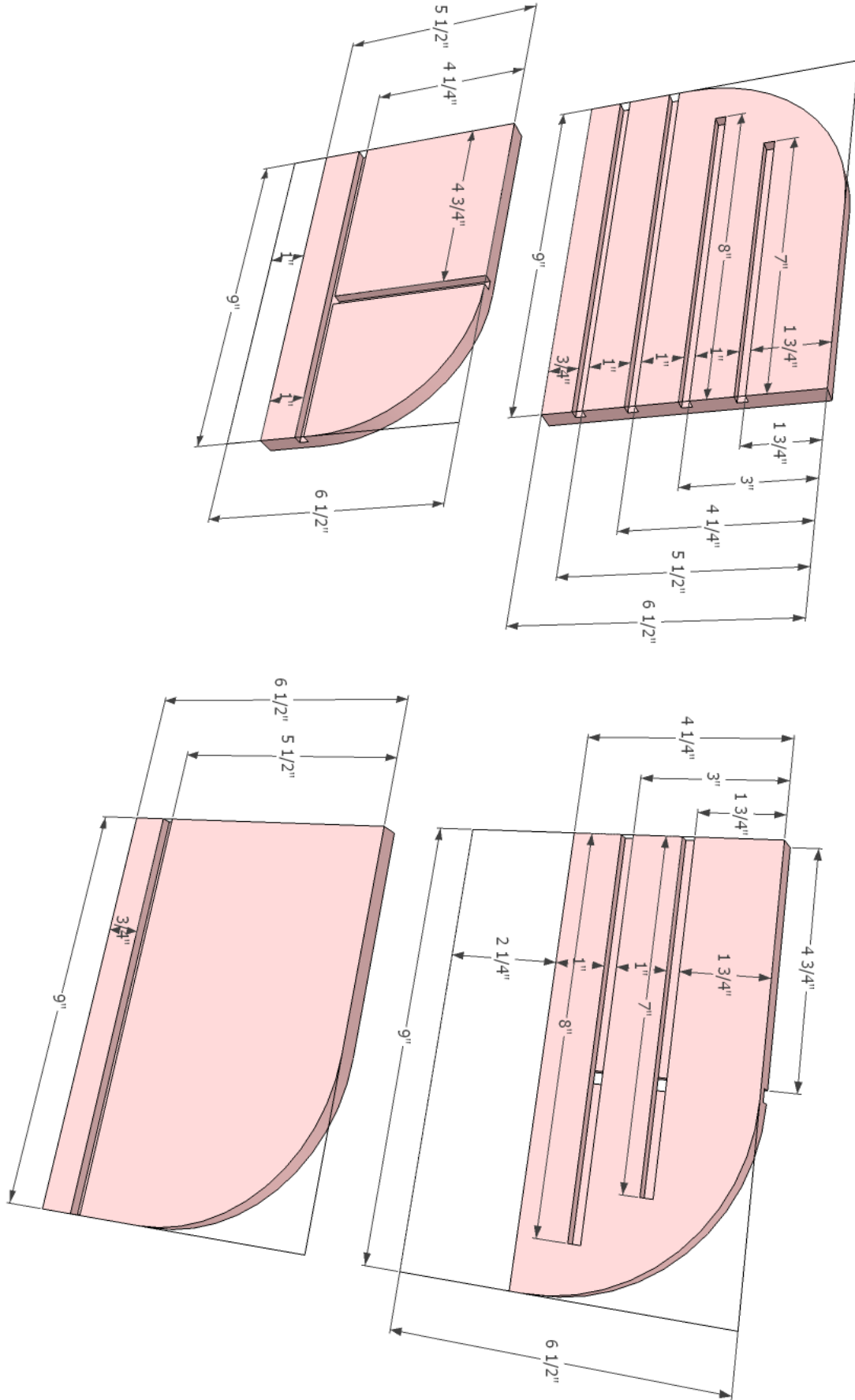
# WWMM Desk Organizer



Note: this design features only two drawers and a USB hub in the middle. I eliminated the mitered corners on the molding and drawers. I also eliminated the rabbets on the drawers to hold the drawer bottoms.

I made these changes during the building process.

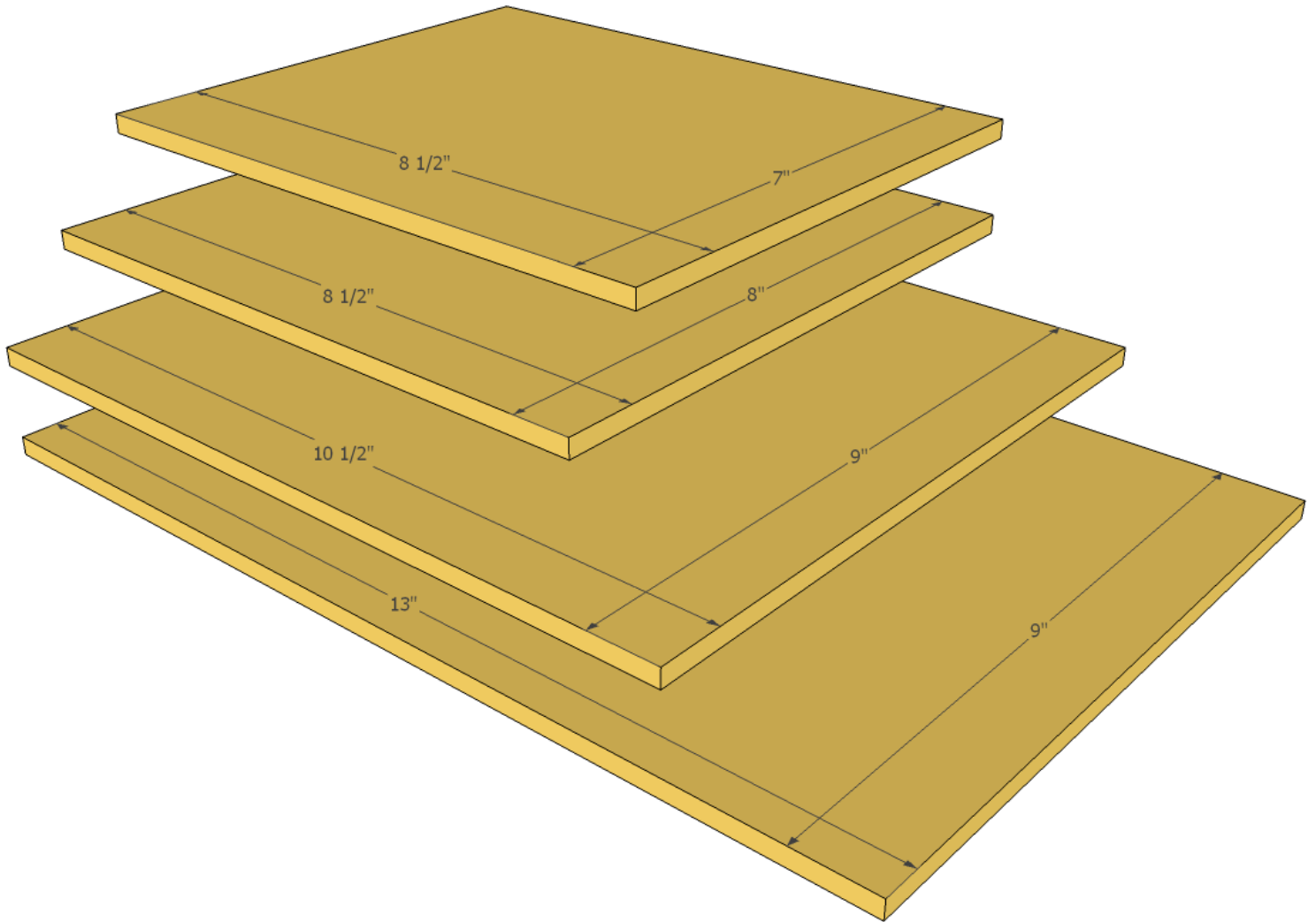
# WWMM Desk Organizer



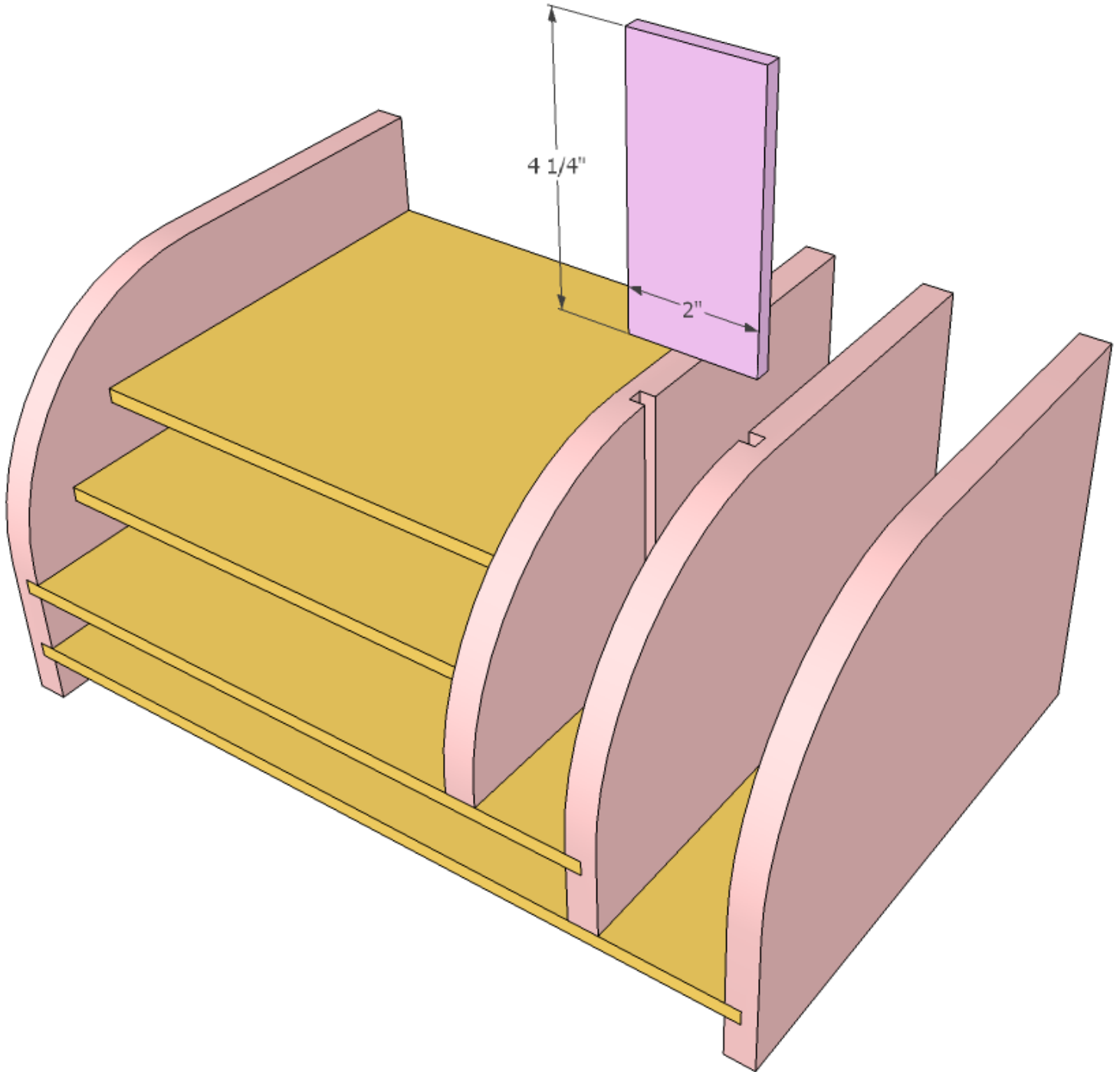
# WWMM Desk Organizer

Cutting template for curved  
pieces

# WWMM Desk Organizer

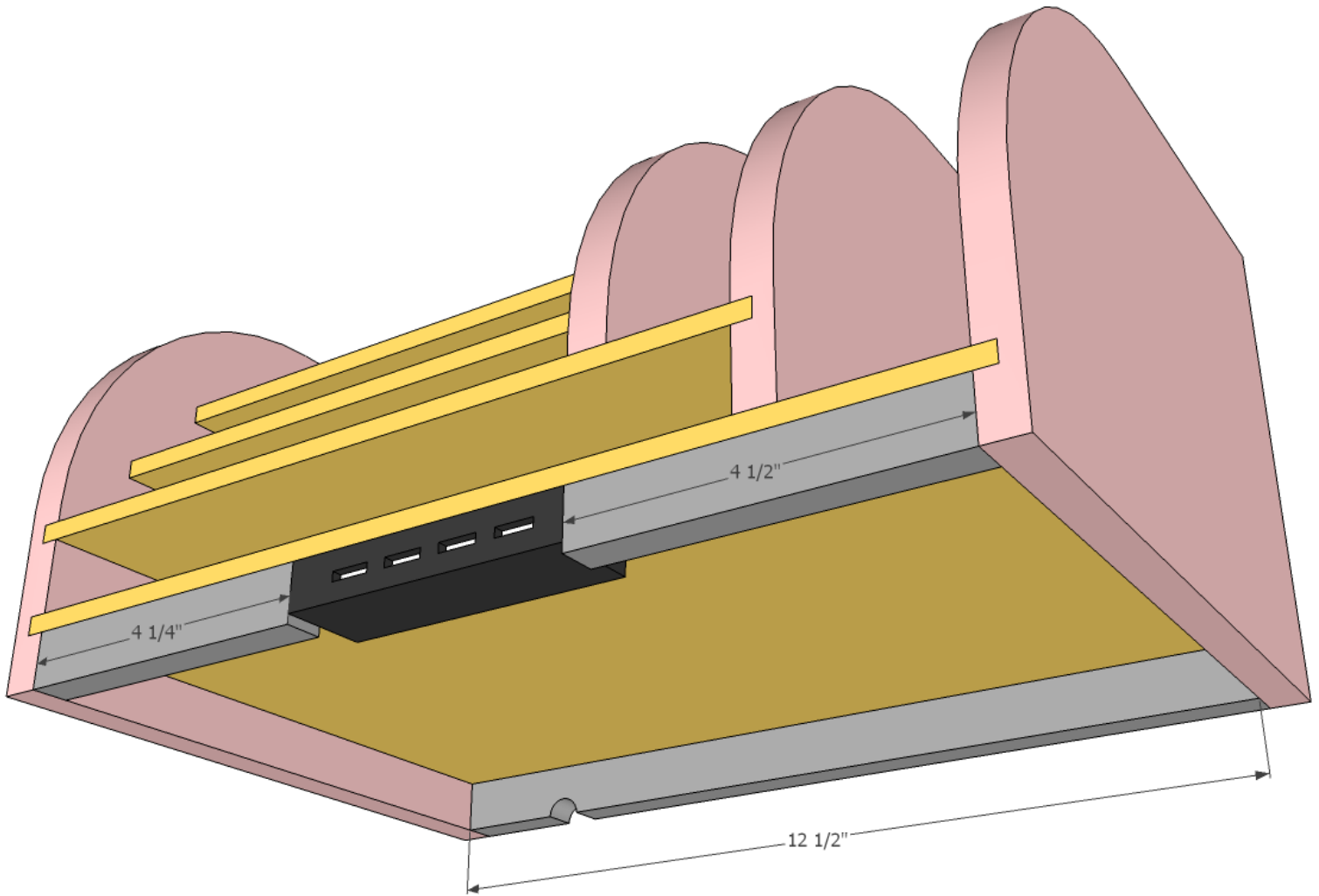


# WWMM Desk Organizer

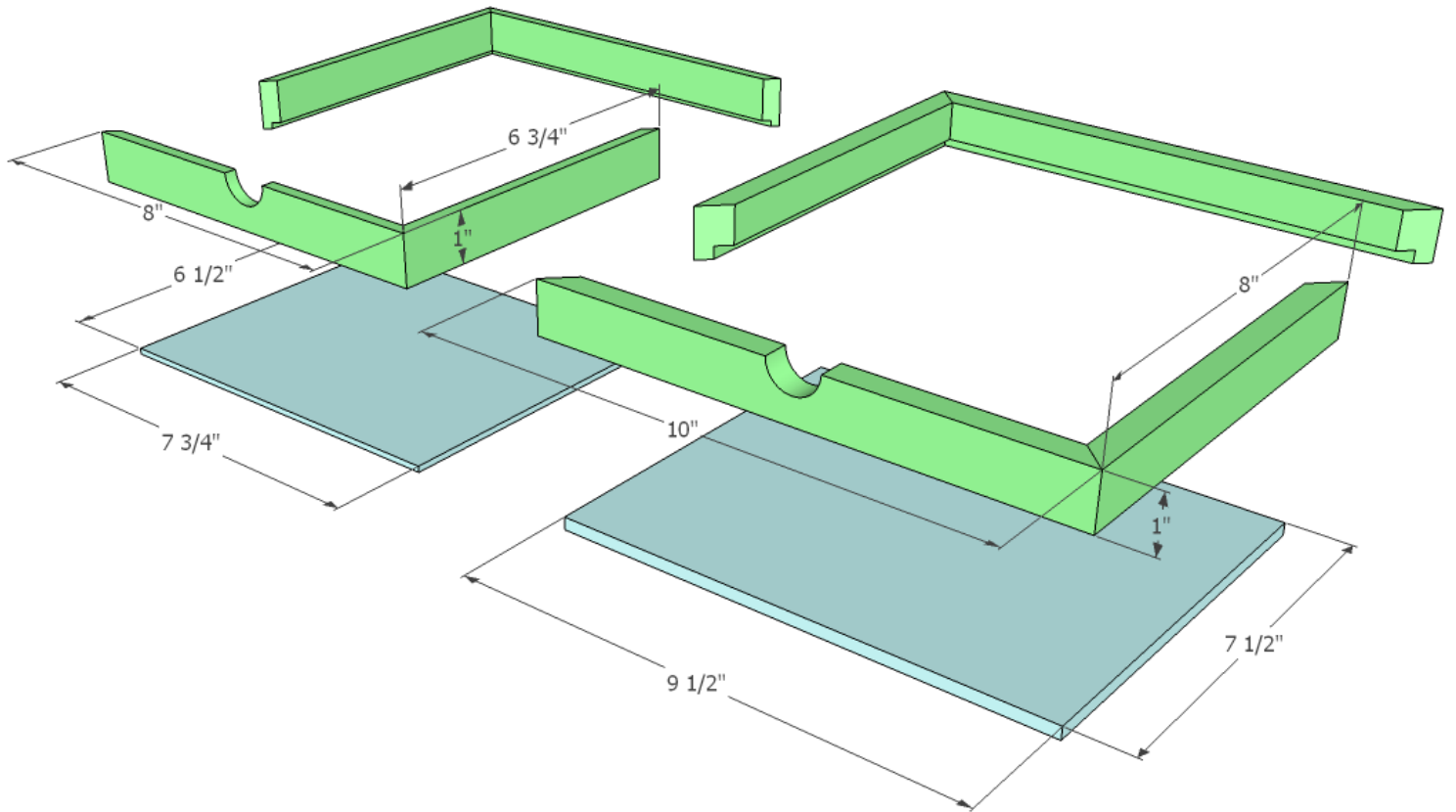




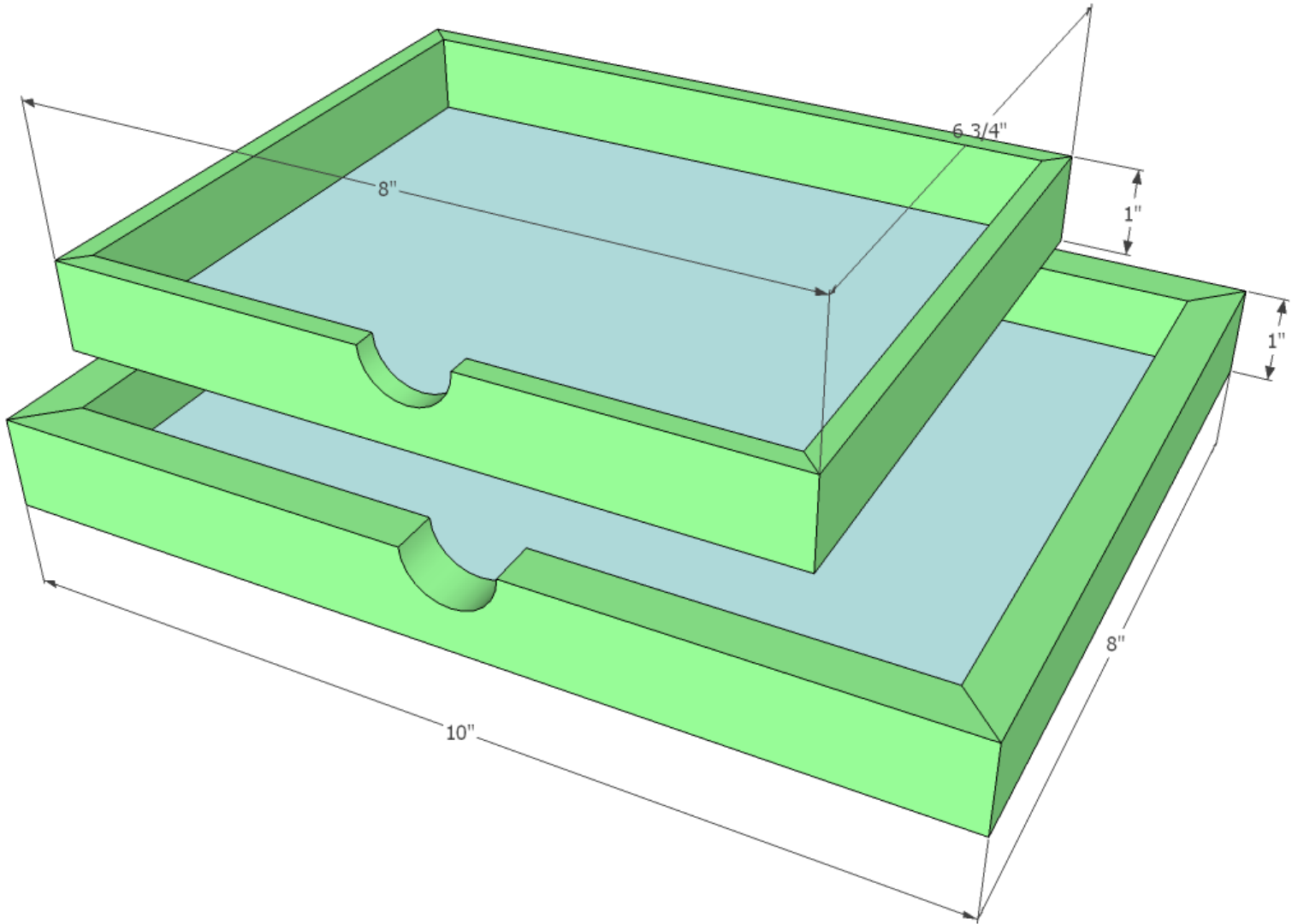
# WWMM Desk Organizer



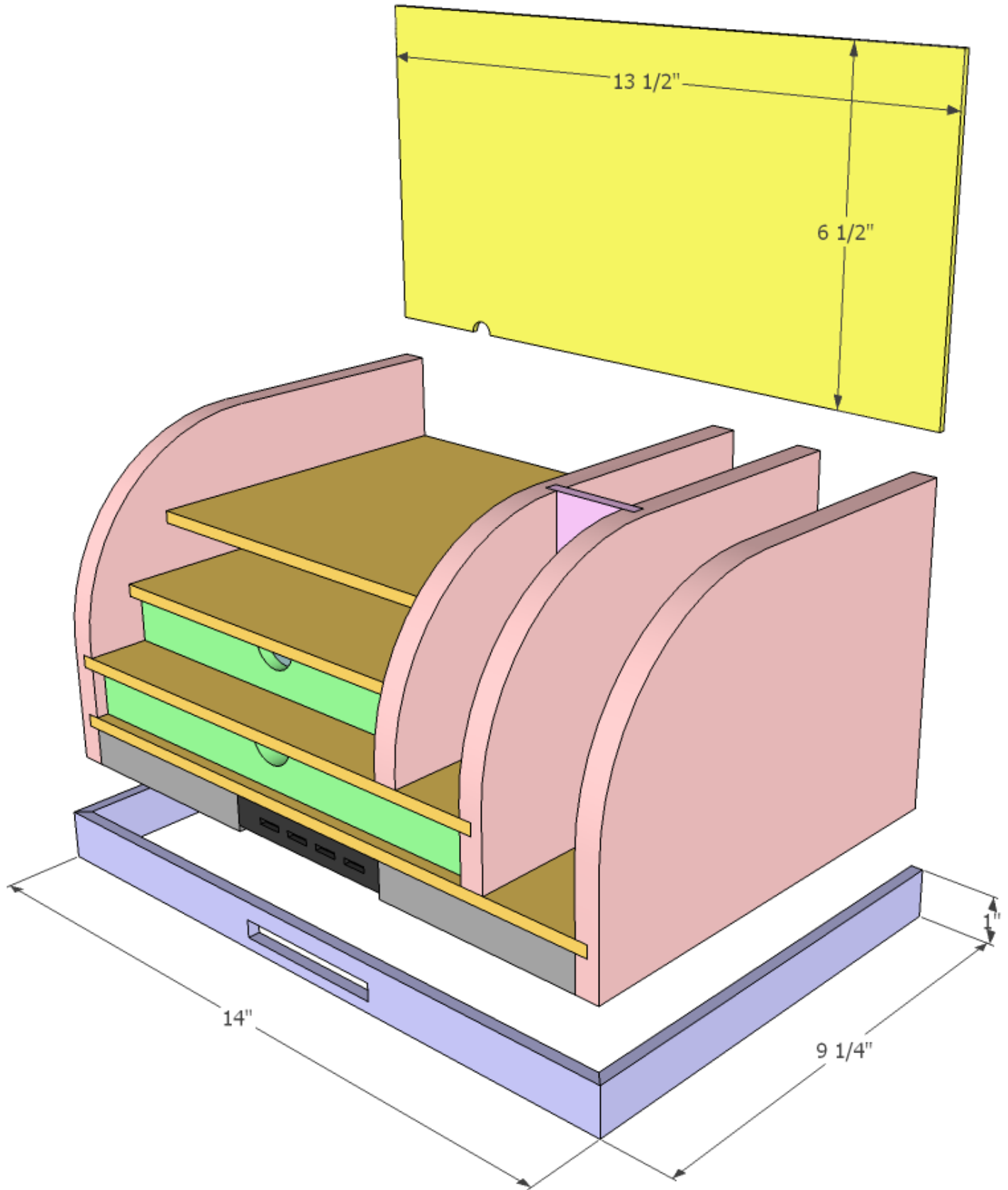
# WWMM Desk Organizer



# WWMM Desk Organizer



# WWMM Desk Organizer



# WWMM Desk Organizer

